

### Dimensions

MODEL	A	B	C
8-6-0.18	170	120	340
9-7-0.25	170	120	360
16-9-0.45	232	165	425
22-13-0.75	236	158	443
28-15-1.1	277	190	478
30-18-1.5	277	190	499

### Application

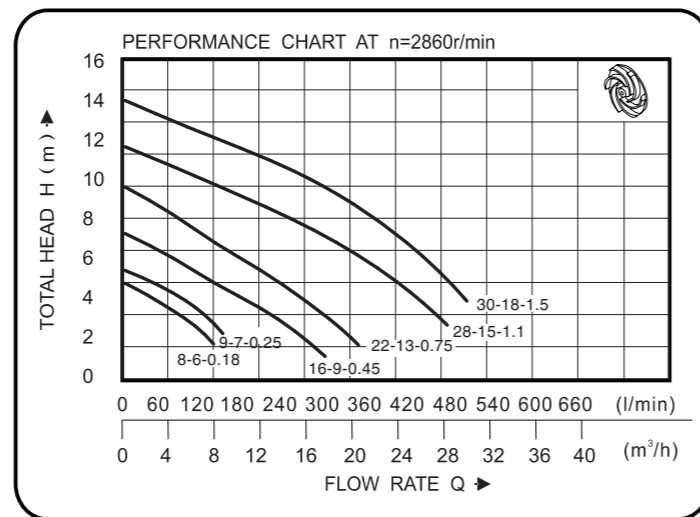
- ◆ Wastewater drainage in factories, construction sites and commercial facilities
- ◆ Drainage system in municipal sewage treatment plants
- ◆ Drainage station in residential quarters
- ◆ Municipal projects
- ◆ Methane pools and field irrigation in countryside

### Pump

- ◆ Max: immersion depth: 5m
- ◆ Max: liquid temperature: 40°C 104°F
- ◆ Liquid PH value: 5-9
- ◆ Liquid kinematic viscosity:  $7 \times 10^{-6} \sim 23 \times 10^{-6} \text{m}^2/\text{s}$
- ◆ Max. liquid density:  $1.2 \times 10^3 \text{kg}/\text{m}^3$

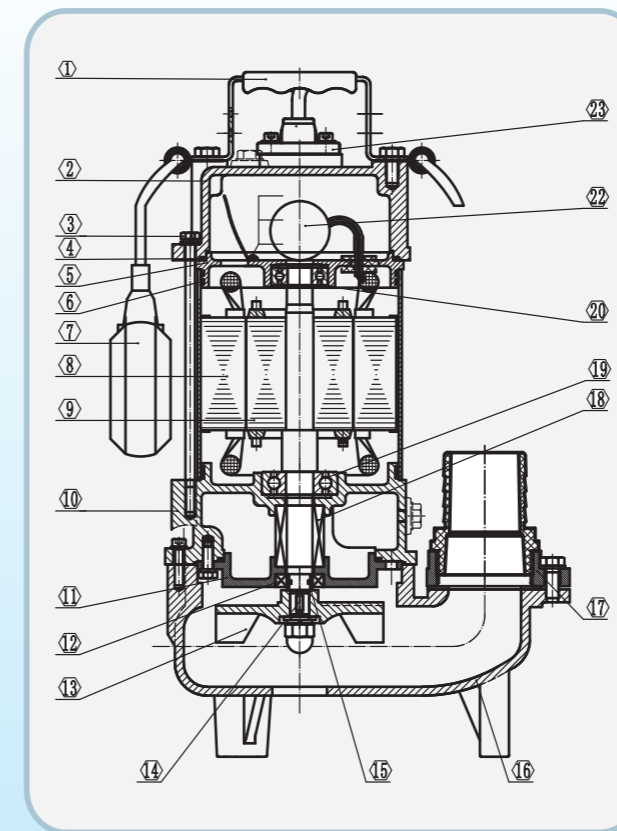
### Motor

- ◆ Copper winding
- ◆ Built-in thermal protector
- ◆ Stainless steel welded shaft
- ◆ Insulation class :B
- ◆ Protection class:IPX8

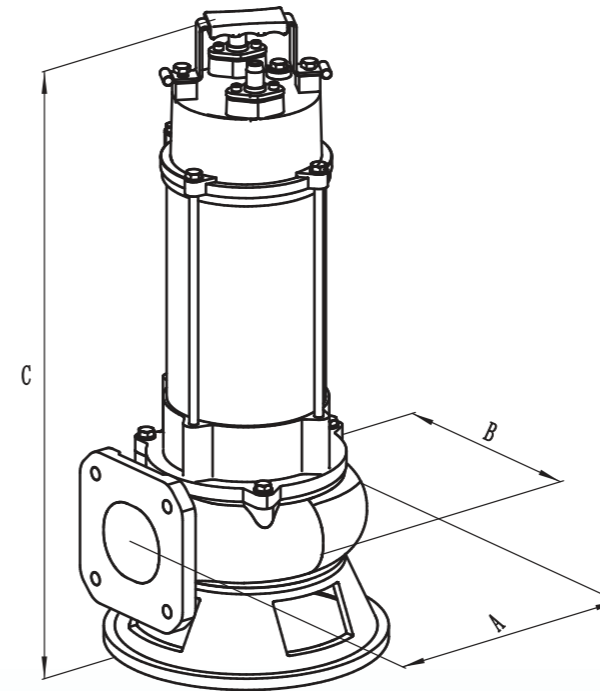
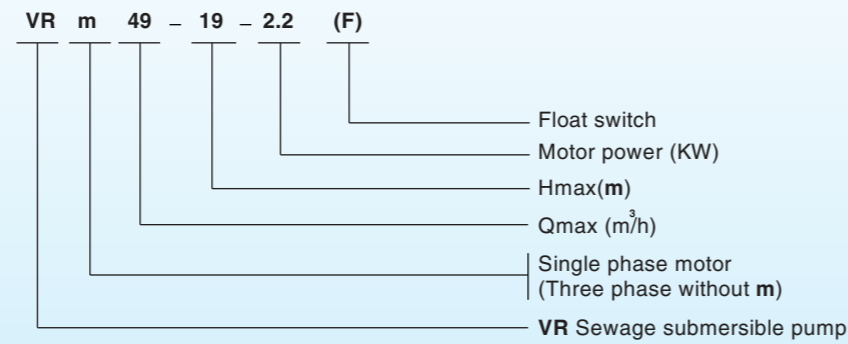


### Technical Table

Type		Power (kw)	Outlet Diameter (mm)	Max. Flow (l/min)	Max. Head (m)	Max. Diameter of Particle (mm)	G.W. (kg)	Dimensions (cm)
Single phase 220-240V~50Hz	Three phase 380-415V~50Hz							
VRm8-6-0.18F	VR8-6-0.18	0.18	32	130	6	15	9	19X18.5X36.5
VRm9-7-0.25F	VR9-7-0.25	0.25	32	143	7	15	9.5	19X18.5X36.5
VRm16-9-0.45F	VR16-9-0.45	0.45	50	295	9	25	17.5	28X24X44.5
VRm22-13-0.75F	VR22-13-0.75	0.75	50	243	12	25	21	28X24X49
VRm28-15-1.1F	VR28-15-1.1	1.1	50	474	14.5	35	22	56.5X31X25.5
VRm30-18-1.5F	VR30-18-1.5	1.5	50	502	17.5	35	23.5	59X35.5X25.5



NO.	NAME	MATERIAL/SPEC.
1	Handel	Stainless steel
2	Capacitor Cover	HT200
3	Screw	Stainless steel
4	Washer	Stainless steel
5	O Ring	NBR
6	Upper Cover	HT200
7	O Ring	NBR
8	Float Switch(Optional)	
9	Motor	AlSi201(Motor casing)
10	Rotor	45#Carbon steel
11	Oil Chamber	HT200
12	Oil Chamber Cover	HT200
13	Oil Sseal	NBR
14	Impeller	HT200
15	Key	Stainless Steel
16	Shaft Sleeve	Stainless Steel
17	Pump Body	HT200
18	Out Let Connecting	HT200
19	Mechanical Seal	Ceramic/Graphite
20	Bearing	
21	Bearing	
22	Capacitor	
23	Cable Protector	



### Dimensions

MODEL	A	B	C
42-12-1.5	265	255	590
40-17-1.5	265	255	590
48-17-2.2	265	255	610
49-19-2.2	265	255	610

### Application

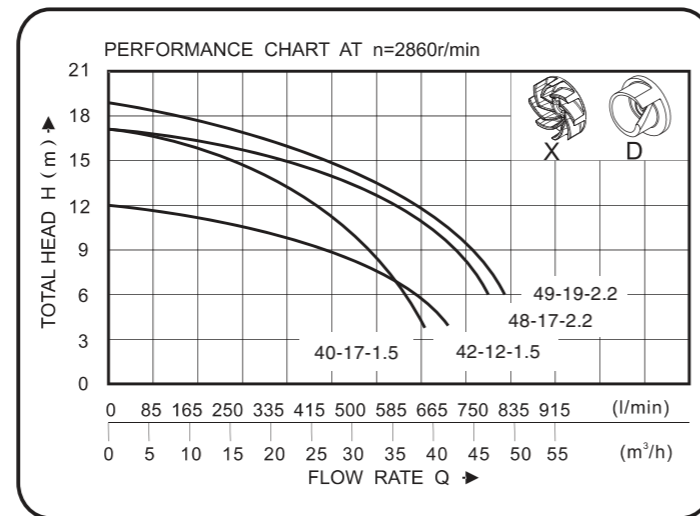
- ◆ Wastewater drainage in factories, construction sites and commercial facilities
- ◆ Drainage system in municipal sewage treatment plants
- ◆ Drainage station in residential quarters
- ◆ Municipal projects
- ◆ Methane pools and field irrigation in countryside

### Pump

- ◆ Max: immersion depth: 5m
- ◆ Max: liquid temperature: +40°C
- ◆ Liquid PH value: 5-9
- ◆ Liquid kinematic viscosity:  $7 \times 10^{-6} \sim 23 \times 10^{-6} \text{m}^2/\text{s}$
- ◆ Max. liquid density:  $1.2 \times 10^3 \text{kg}/\text{m}^3$

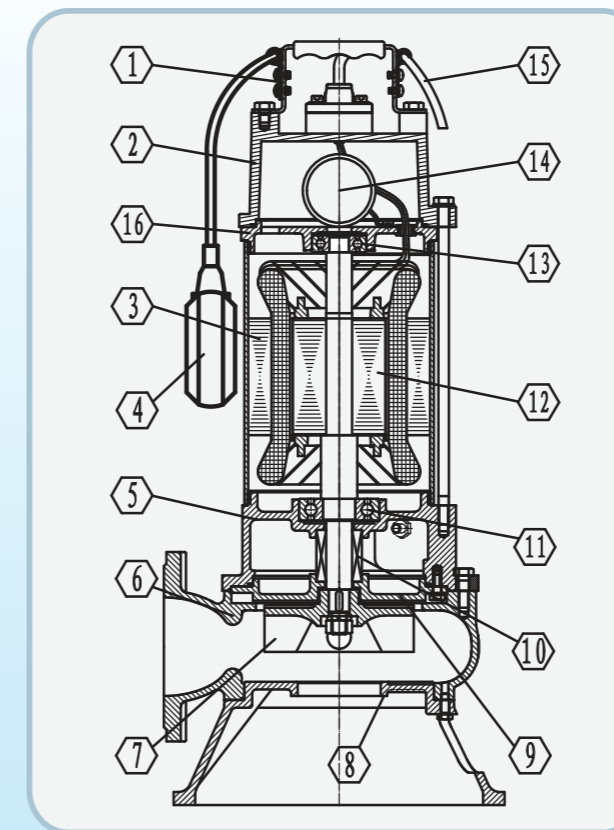
### Motor

- ◆ Copper winding
- ◆ Built-in thermal protector
- ◆ Stainless steel welded shaft
- ◆ Insulation class :B
- ◆ Protection class:IPX8



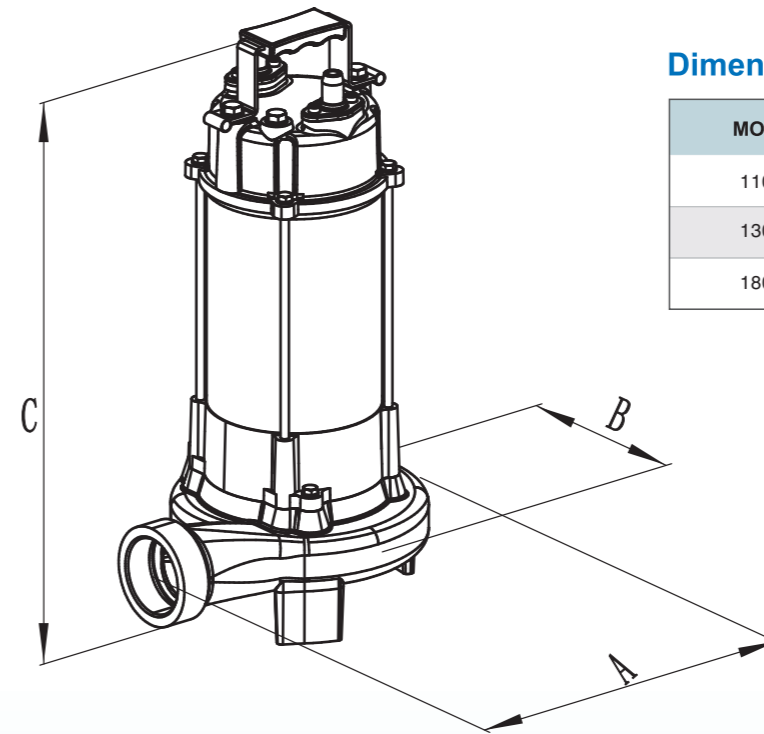
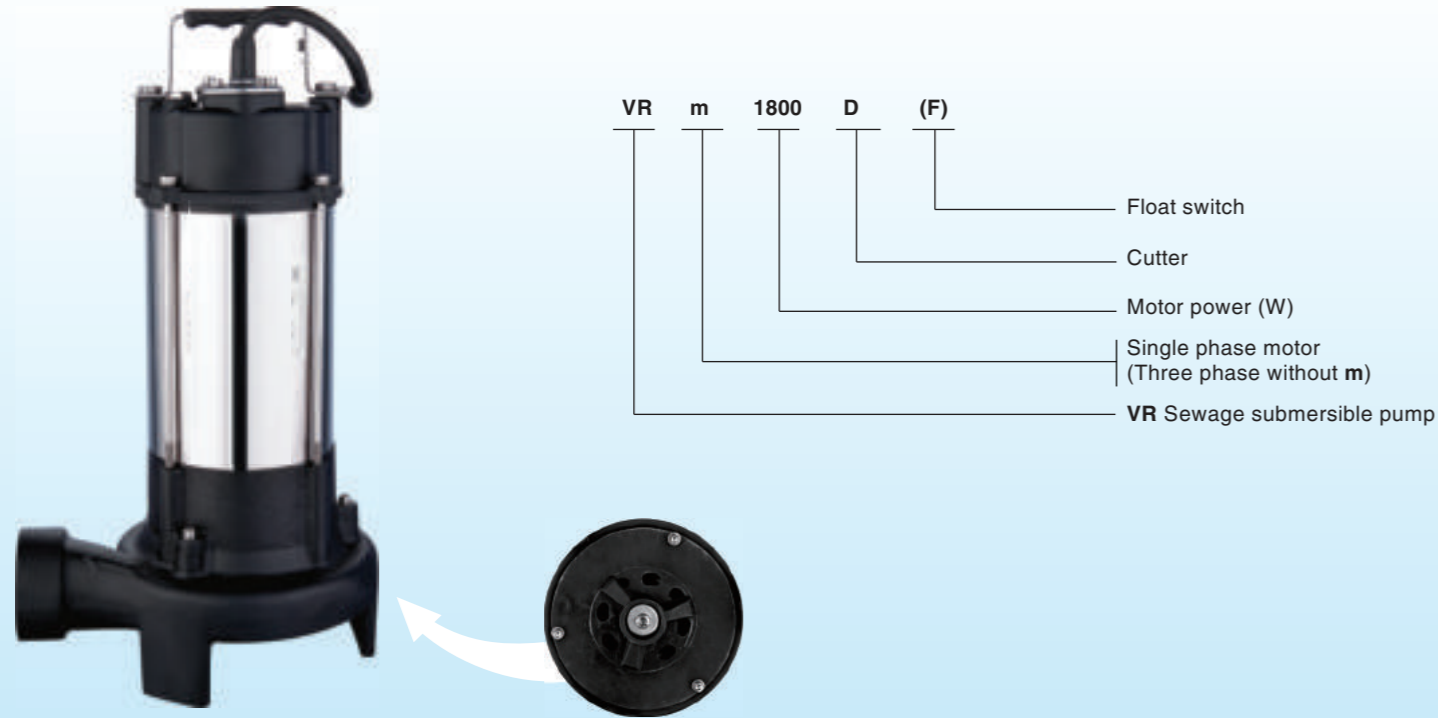
### Technical Table

Type		Power (kw)	Outlet Diameter (mm)	Max. Flow (l/min)	Max. Head (m)	Max. Diameter of Particle (mm)	G.W. (kg)	Dimensions (cm)
Single phase 220-240V~50Hz	Three phase 380-415V~50Hz							
VRm42-12-1.5F	VR42-12-1.5	1.5	75	700	12	25	32.5	30.5X29.5X63.5
VRm40-17-1.5F	VR40-17-1.5	1.5	75	660	17	25	34.5	30.5X29.5X63.5
VRm48-17-2.2F	VR48-17-2.2	2.2	75	800	17	30	37.0	30.5X29.5X65.5
VRm49-19-2.2F	VR49-19-2.2	2.2	75	816	19	30	37.5	30.5X29.5X65.5



NO.	NAME	MATERIAL/SPEC.
1	Handle	AISI201
2	Capacitor Cover	HT200
3	Motor	AISI201(Motor casing)
4	Float Switch (optional)	
5	Connecting Base	HT200
6	Pump body	HT200
7	Impeller	HT200
8	Base plate	HT200
9	Cylinder Cover	HT200
10	Double Mechanical Seal	Ceramic/Graphite
11	Bearing(DGBB)	6305-2RZ
12	Rotor	45#Carbon steel & 2Cr13Stainless
13	Bearing(DGBB)	6302-2RZ
14	Capacitor	
15	Cable components	
16	Upper cover	HT200





### Dimensions

MODEL	A	B	C
1100D	250	191	434
1300D	250	191	439
1800D	290	195	499

### Application

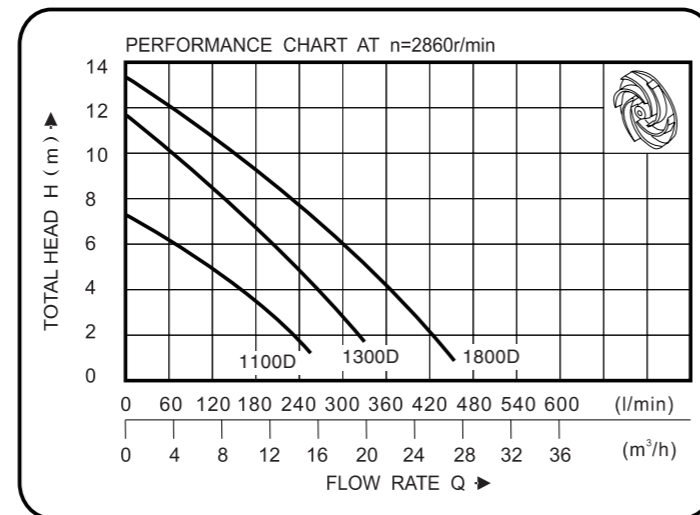
- ◆ Wastewater drainage in factories, construction sites and commercial facilities
- ◆ Drainage system in municipal sewage treatment plants
- ◆ Drainage station in residential quarters
- ◆ Municipal projects
- ◆ Methane pools and field irrigation in countryside

### Pump

- ◆ Max: immersion depth: 5m
- ◆ Max: liquid temperature: +40°C
- ◆ Liquid PH value: 5-9
- ◆ Liquid kinematic viscosity:  $7 \times 10^{-6} \sim 23 \times 10^{-6} \text{m}^2/\text{s}$
- ◆ Max. liquid density:  $1.2 \times 10^3 \text{kg/m}^3$

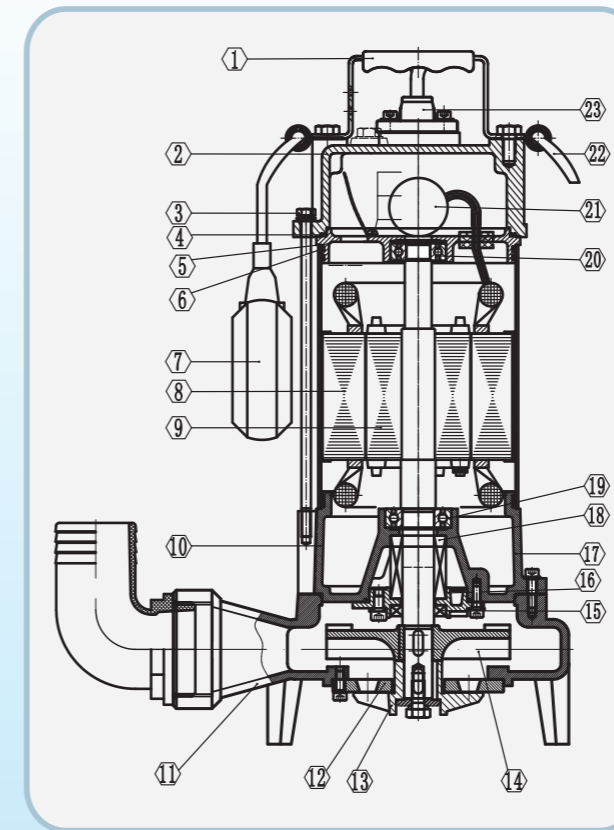
### Motor

- ◆ Copper winding
- ◆ Built-in thermal protector
- ◆ Stainless steel welded shaft
- ◆ Insulation class :B
- ◆ Protection class:IPX8

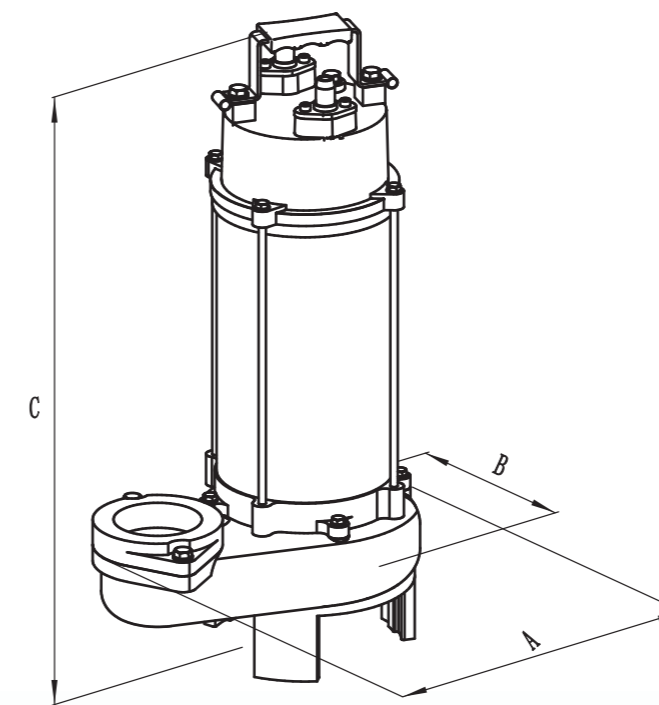
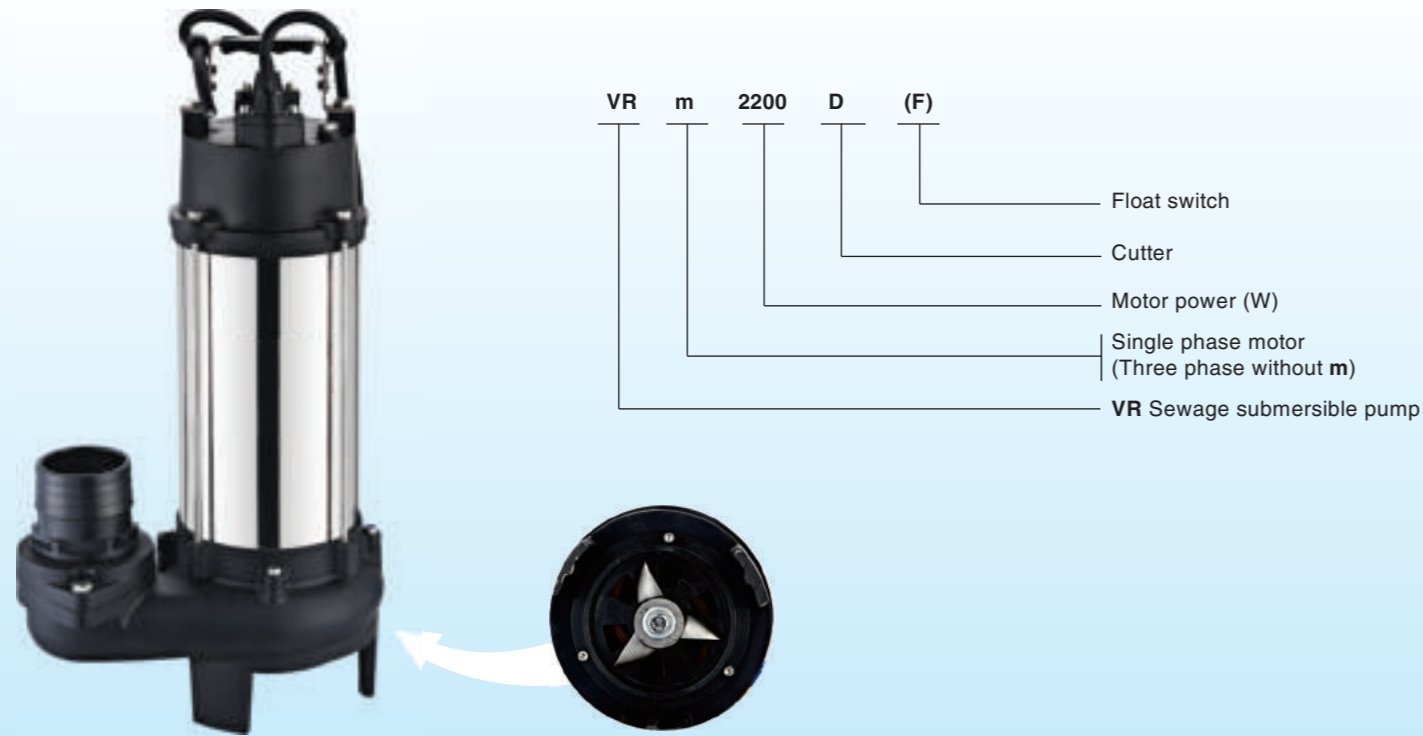


### Technical Table

Type		Power (kw)	Outlet Diameter (mm)	Max. Flow (l/min)	Max. Head (m)	G.W. (kg)	Dimensions (cm)
Single phase 220-240V-50Hz	Three phase 380-415V-50Hz						
VRm 1100DF	VR 1100D	1.1	50	355	7.5	19.5	59.0X35.5X25.0
VRm 1300DF	VR 1300D	1.3	50	323	12	20.5	59.0X35.5X25.0
VRm 1800DF	VR 1800D	1.8	75	438	13	28	59X35.5X25.5



NO.	NAME	MATERIAL/SPEC.
1	Handle	PP
2	Capacitor Cover	HT200
3	Screw	Stainless steel
4	O ring	NBR
5	Upper Cover	HT200
6	O ring	NBR
7	Float Switch(optional)	
8	Stator	AISI 201(Motor casing)
9	Rotor	45#Carbon steel&2Cr13 Stainless
10	O ring	NBR
11	Pump body	HT200
12	Fixed cutter	45#
13	Rotation cutter	9Cr18
14	Impeller	HT200
15	Oil seal	
16	Oil cylinder cover	HT200
17	Oil seal	HT200
18	Mechanical seal	Ceramic/Graphite
19	Bearing	
20	Bearing	
21	Capacitor	
22	Cable	
23	Cable Protector	Rubber



Dimensions

MODEL	A	B	C
2200D	301	190	517

### Application

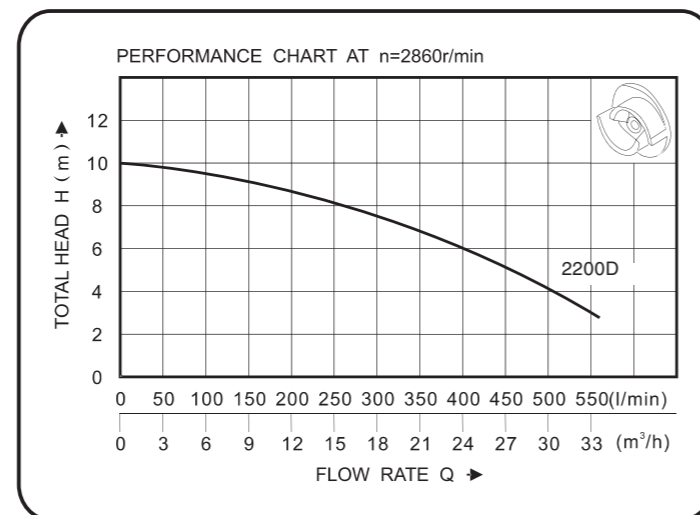
- ◆ Wastewater drainage in factories, construction sites and commercial facilities
- ◆ Drainage system in municipal sewage treatment plants
- ◆ Drainage station in residential quarters
- ◆ Municipal projects
- ◆ Methane pools and field irrigation in countryside

### Pump

- ◆ Max: immersion depth: 5m
- ◆ Max: liquid temperature: +40°C
- ◆ Liquid PH value: 5-9
- ◆ Liquid kinematic viscosity:  $7 \times 10^{-6} \sim 23 \times 10^{-6} \text{m}^2/\text{s}$
- ◆ Max. liquid density:  $1.2 \times 10^3 \text{kg}/\text{m}^3$

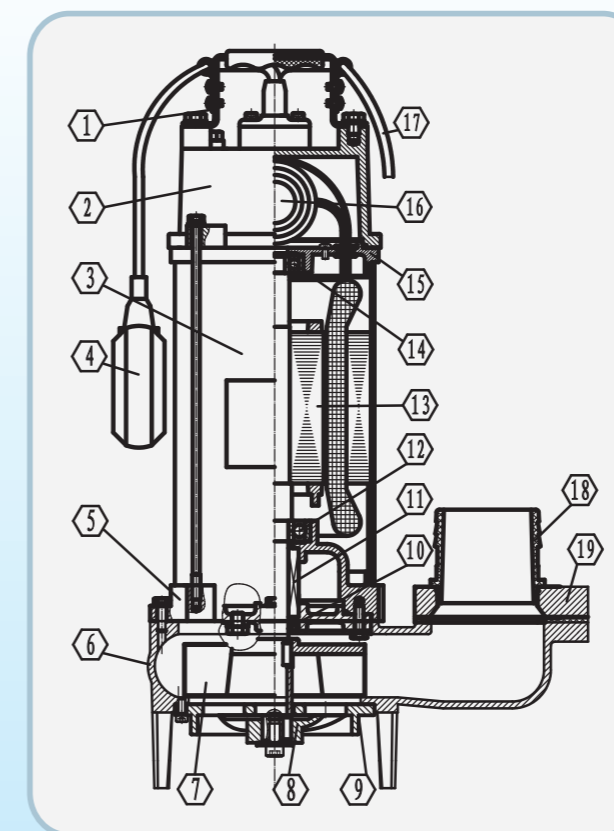
### Motor

- ◆ Copper winding
- ◆ Built-in thermal protector
- ◆ Stainless steel welded shaft
- ◆ Insulation class :B
- ◆ Protection class:IPX8



### Technical Table

Type		Power (kw)	Outlet Diameter (mm)	Max. Flow (l/min)	Max. Head (m)	G.W. (kg)	Dimensions (cm)
Single phase 220-240V-50Hz	Three phase 380-415V-50Hz						
VRm2200DF	VR2200D	2.2	75	520	10	31.5	59.0X35.5X25.0



NO.	NAME	MATERIAL/SPEC.
1	Handle	AISI 201
2	Capacitor Cover	HT200
3	Motor	AISI 201(Motor casing)
4	Float Switch(optional)	
5	Connecing Base	HT200
6	Pump body	HT200
7	Impeller	HT200
8	Rotation cutter	9Cr18(SS)
9	Fixed cutter	45#Carbon Steel
10	Oil seal	NBR
11	Double Mechanical Seal	Ceramic/Graphite
12	Bearing(DGBBI)	6304-2RZ
13	Rotor	45#Carbon steel&2Cr13 Stainless
14	Bearing(DGBBI)	6302-2RZ
15	Upper cover	HT200
16	Capacitor	
17	Cable components	
18	Out-let connector	ABS (G2 1/2)
19	Flange connector	HT200





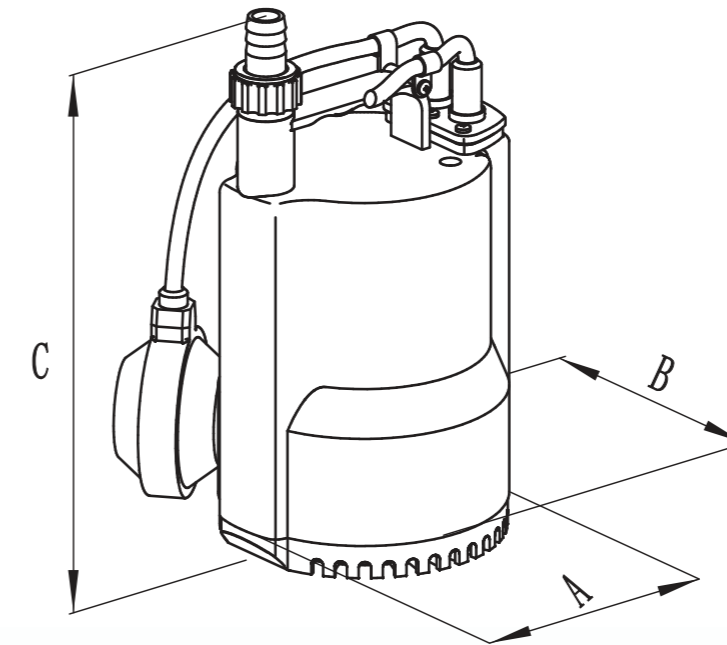
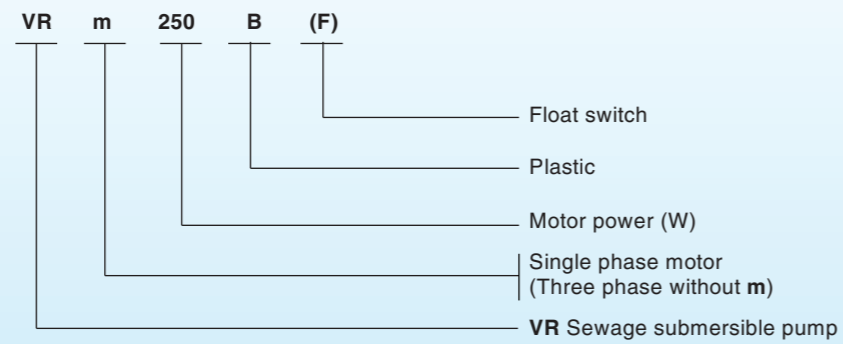












Dimensions

MODEL	A	B	C
80B	151	139	277
150B	151	139	277
250B	151	139	277

### Application

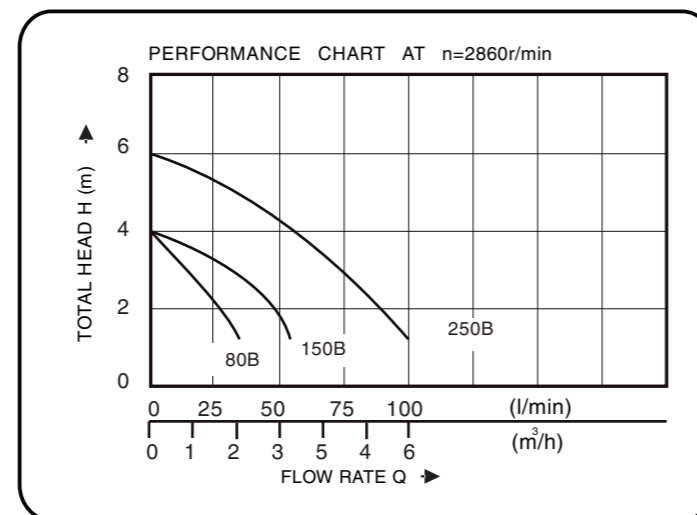
- ◆ Small electrical irrigation and drainage equipments
- ◆ Particularly applied in urban well water pumping, field irrigation and drainage, garden irrigation and household water supply, as well as drainage of industrial accumulated water, water supply and drainage for construction livestock breeding, etc

### Pump

- ◆ Max: immersion depth: 5m
- ◆ Max: liquid temperature: +40°C

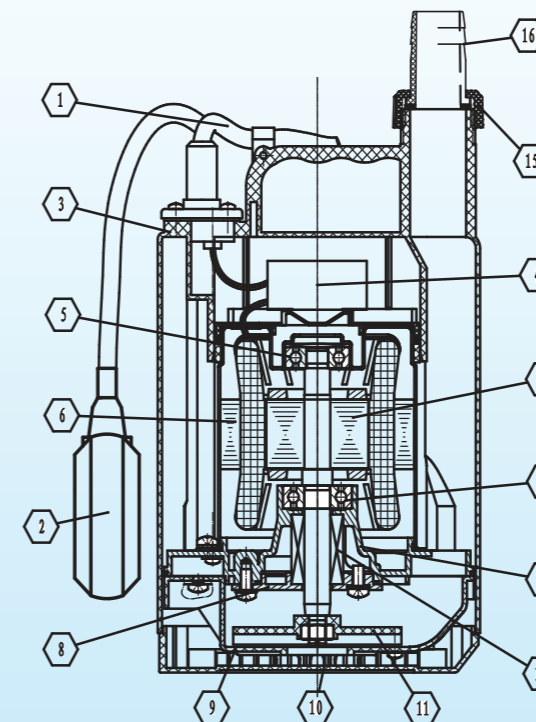
### Motor

- ◆ Copper winding
- ◆ Built-in thermal protector
- ◆ Insulation class :B
- ◆ Protection class:IPX8



### Technical Table

Type		Power (kw)	Outlet Diameter (mm)	Max. Flow (l/min)	Max. Head (m)	G.W. (kg)	Dimensions (cm)
Single phase 220-240V~50Hz	Three phase 380-415V~50Hz						
VRm 80BF	VR 80B	80	25	37	4	3.72	15.0X14.0X25.0
VRm 150BF	VR 150B	150	25	55	4	3.72	15.0X14.0X25.0
VRm 250B	VR 250B	250	32	100	6	4.4	15.0X14.0X26.5



NO.	NAME	MATERIAL/SPEC.
1	Cable components	
2	Float Switch(optional)	
3	Pump shell	PP
4	Capacitor	
5	Bearing(DGBB)	6200-2RZ
6	Motor	Galvanized plate(Motor casing)
7	Connecting Base	ZL 102
8	Cylinder Cover	ZL 102
9	Pump body	PP
10	Fitter mesh	PP
11	Impeller	PA66
12	Double Mechanical Seal	Ceramic/Graphite
13	Bearing(DGBB)	6201-2RZ
14	Rotor	45#Carbon steel
15	Connecting nut	PP
16	Out-let connector	PP

