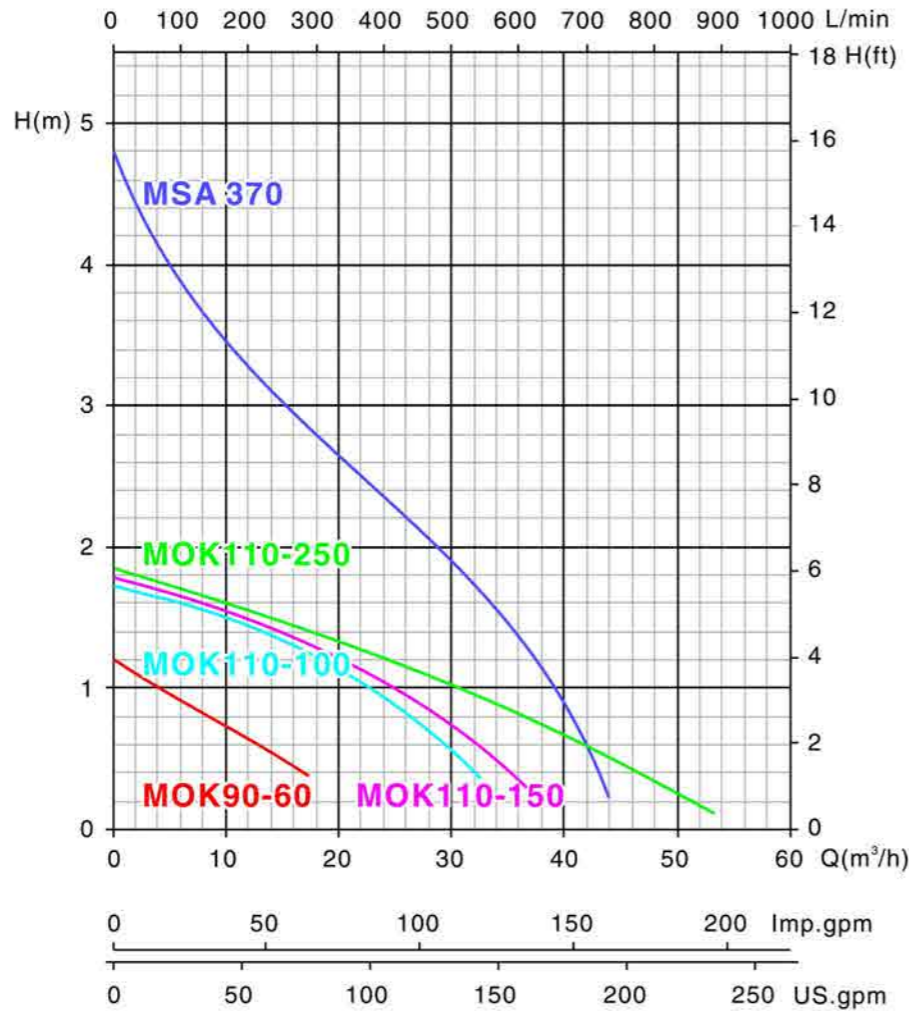
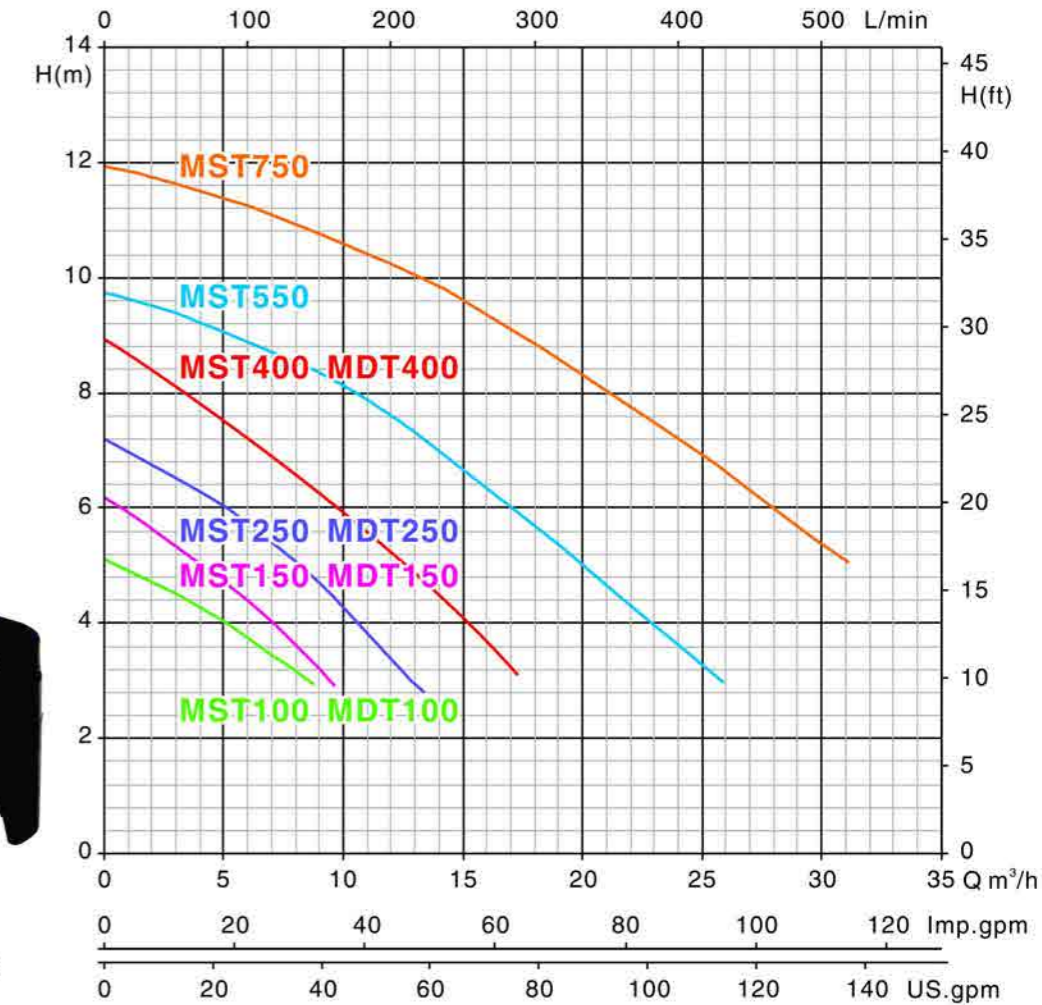



MOK90
Used for fish circulation, Energy saving and high flow

These big flow submersible axial flow pumps are our company's new international patented design, which adopts extra-fine materials such as Italian high quality wearproof carbon-ceramic dual mechanical seal, 316L anti-corrosive stainless steel motor shaft, built-in imported over heat protector, AISI304 motor shell and pump shell, high strength composite plastics etc. With the advantages of big flow and small power, 24 hours duty, power saving and durable, low noise, easy installation. These pumps are especially suitable for water circulation and filtration for marine aquiculture and ornamental fish pond.


MSA 370

Model 50Hz	Power		Voltage V	Vitesse P/rmp	Max Flow m³/h	Max Head m	Outlet mm
	W	HP					
MOK 90-60	60	1/12	220/240	4P/1450	23	1.2	90 (75)
MOK 110-100	100	1/8	220/240	4P/1450	30	1.6	110 (75)
MOK 110-150	150	1/5	220/240	4P/1450	45	1.7	110 (75)
MOK 110-250	250	1/3	220/240	4P/1450	54	1.64	110 (75)
MSA 370	370	1/2	220/240	2P/2850	44	4.8	100(75)


NEW
**MST 100(A)
MST 150(A)
MST 250(A)
MST 400(A)**
**MST with float
MDT without float**


MODEL (50Hz)	POWER		VOLTAGE V	ROTATION rpm	MAX FLOW m³/h	MAX HEAD m	OUTLET mm
	W	HP					
MST100	100	1/8	220/240	2850	17	5.0	40/50
MDT100	100	1/8	220/240	2850	17	5.0	40/50
MST150	150	1/5	220/240	2850	15	5.5	40/50
MDT150	150	1/5	220/240	2850	15	5.5	40/50
MST250	250	1/3	220/240	2850	18	6.5	40/50
MDT250	250	1/3	220/240	2850	18	6.5	40/50
MST400	400	1/2	220/240	2850	22	9.2	40/50
MDT400	400	1/2	220/240	2850	22	9.2	40/50
MST550*	550	0.75	220/240	2850	35	8.4	40/50
MST750*	750	1	220/240	2850	60	12.5	40/50

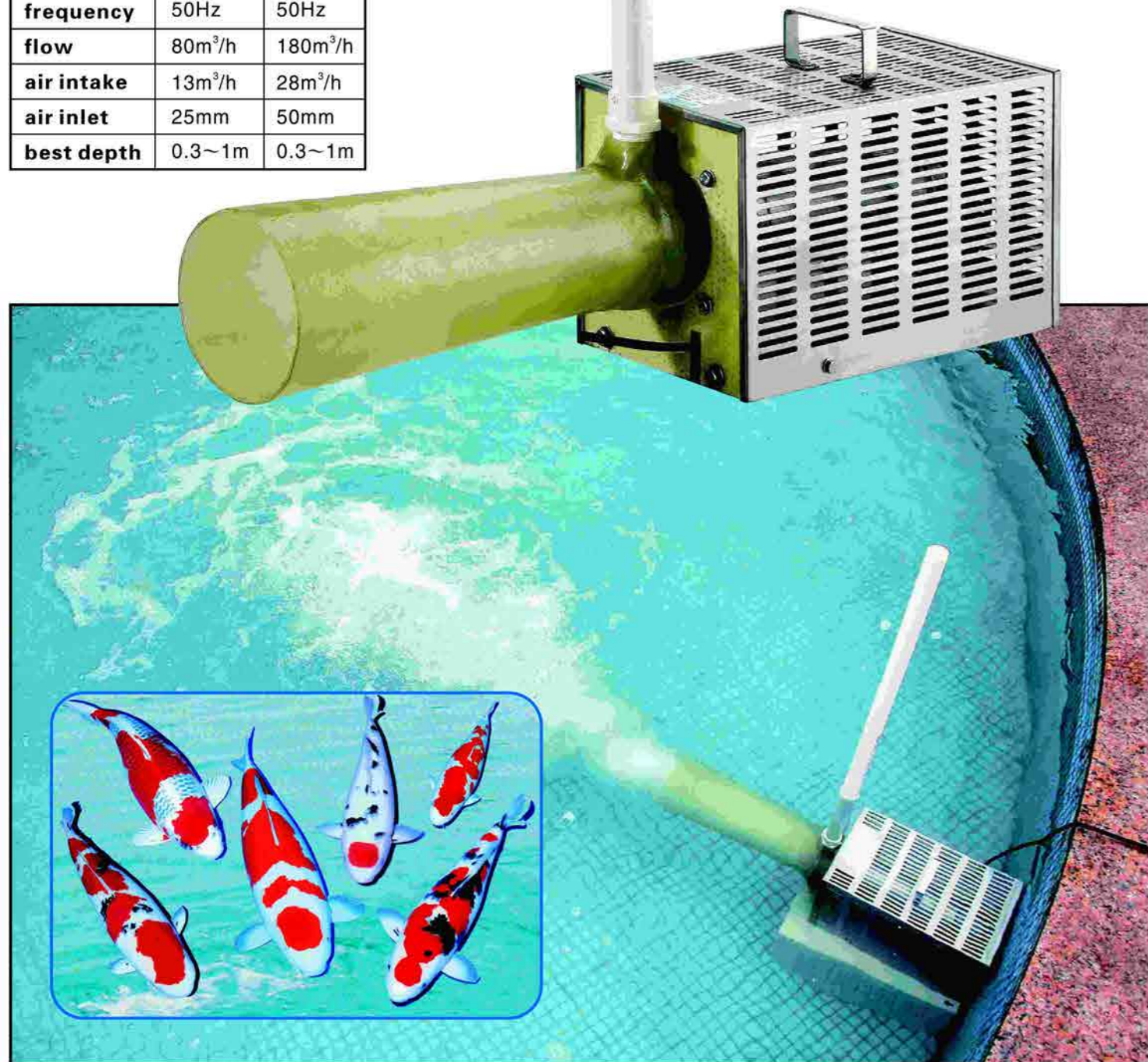
Items marked with * are equipped with cast iron base.

This submersible aeration and pressure breathing pump can provide more oxygen to fish living in water and further increase the density of breed aquatics in fish pond, which supply a better living surroundings to the fish in water and make fish grow faster. The pump impellers rotate with high speed, produce high speed water flow, then the water flow goes through mixed chamber and form negative pressure. Air is sucked into air inlet chamber and mixed with high speed rotating waterspout in mixed chamber, at that time oxygen in the air is blended into water, which increases the oxygen content in water. The pump is specially suitable for breeding ornamental fish to increase oxygen for house or villa pet fish pond.

Model: MPQ 250 500

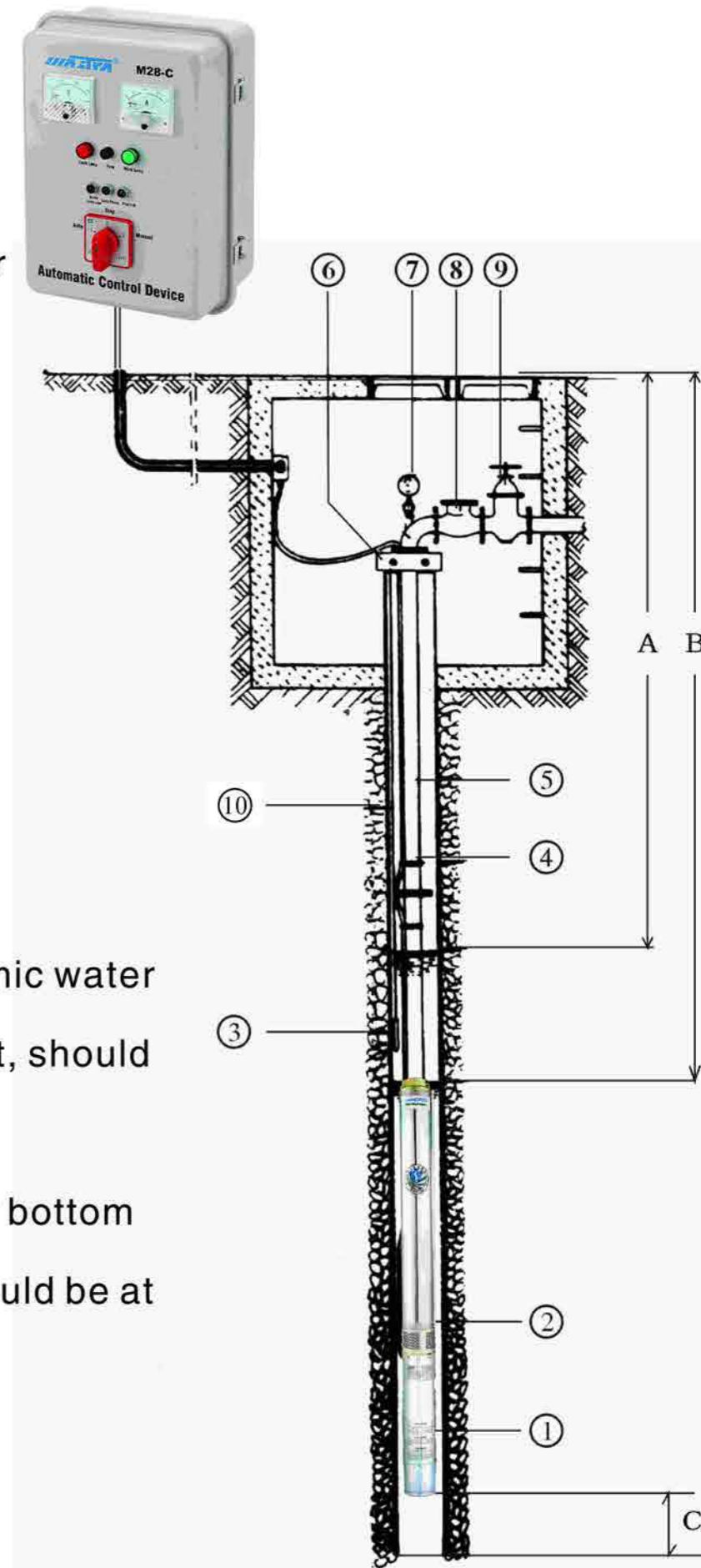
power	250W	500W
voltage	220V	220V
frequency	50Hz	50Hz
flow	80m ³ /h	180m ³ /h
air intake	13m ³ /h	28m ³ /h
air inlet	25mm	50mm
best depth	0.3~1m	0.3~1m

Fancy Carp's Good Mate



Installation Diagram

1. submersible motor
 2. submersible pump body
 3. electric pole of controller
 4. cable clamp
 5. water pipe
 6. pipe clamping plate
 7. presure meter
 8. check valve
 9. gate valve
 10. cable in the well
- A. dynamic water level
 B. distance between dynamic water level and pump 's outlet, should be at least one meter.
 C. distance between motor bottom and the well bottom, should be at least 5 meters.



As Guangdong province well known brand MASTRA, Model R128 variable frequency water supply system consists of five sections like air pressure tank, water pump, pressure gage, control valve and variable frequency controller. Its distinct advantage is unnecessary to build water tower, small investment, economic space occupation, convenient and flexible arrangement, fast installation and put into operation. Adopt variable frequency automatic adjust and control, which fully manifests the system's features of energy and power saving. It widely applies to water supply for manufacturing, living and office in enterprises, residential areas and rural areas.

Model R128 variable frequency water supply system is usually set up above ground or in cellar. Unit with tap water supply can use this equipment to adjust summit water consumption by increasing water pressure to meet the need of water consumption in a large area and for high floors at summit water consumption. Regarding to units, factories or rural areas without tap water supply, it only needs to connect the equipment to water resources and power supply, and stable water flow and pressure will be obtained to satisfy the requirements of water consumption.



BP 600-4.2-27

- Rate Head
- Rate Flow
- Power
- Frequency Conversion Water Supply System

• Pump Specification

Model 50Hz	Power		Single phase 220-240V			Three phase 380V	Q	Flow	30mm 1"1/4G
			m ³ /h	4.2					
		A	μ F	V _{AC}	A	l/min	70	Head	
BP600-4.2-27	0.8	0.6	4.4	20	450	2.2		27	
BP800-4.2-36	1.0	0.8	5.4	25	450	2.7		36	
BP1000-4.2-45	1.3	1.0	6.5	30	450	3.3		45	
BP1200-4.2-54	1.6	1.2	7.4	35	450	3.8		54	



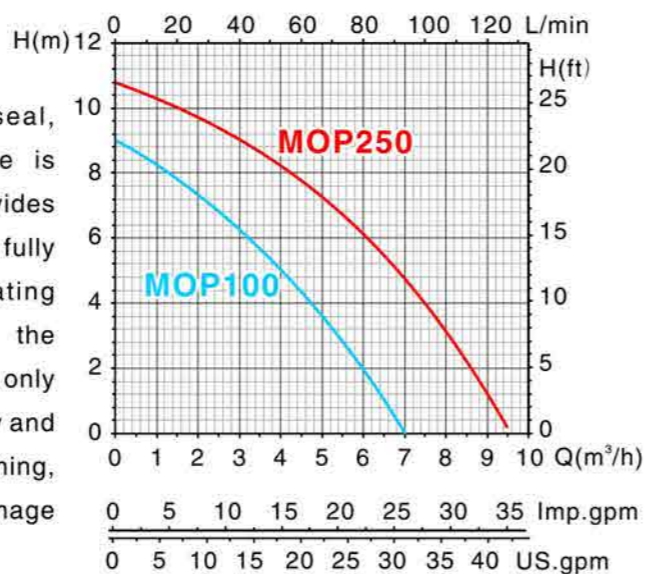
If you want to know more information about the product, you can check the product specification.

MOP100 MOP250 NEW Sewage Submersible Pump

Adopt imported mechanical seal, imported overheat protection device is equipped inside the motor, which provides automatic protection. At the same time, fully water cooling configuration, operating under low current, which can make the pump run for a long time. It is not only suitable for common clean water supply and drainage such as in the field of gardening, water pool circulation, but also for drainage of accumulated water in a small area.



H 9m MOP 100
Q 7m³/h MOP 250



Model 50Hz	Power		Vitesse	Voltage	Max Flow	Max Head	Outlet	Max Particle
	W	HP	P/rmp	V	m³/h	m	mm	mm
MOP100	100	1/8	2P/2850	220	7	9	11/18.5	3.4
MOP250	250	1/3	2P/2850	220	9.5	11	11/18.5	3.4

SMSP 100、SMDP 100、MSP 100、MDP 100 Sewage Submersible Pump

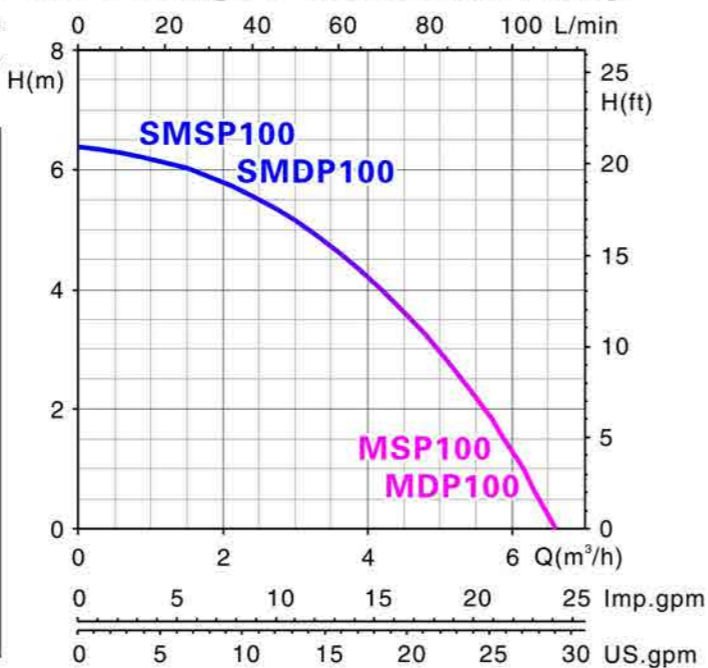
Italian dual mechanical seal. With thermal protection device and 316 SS shaft. Stainless steel 304 and plastic are available for pump shell. Used in fish pond in the house.



MSP 100 with float
MDP 100 without float



SMSP 100 with float
SMDP 100 without float

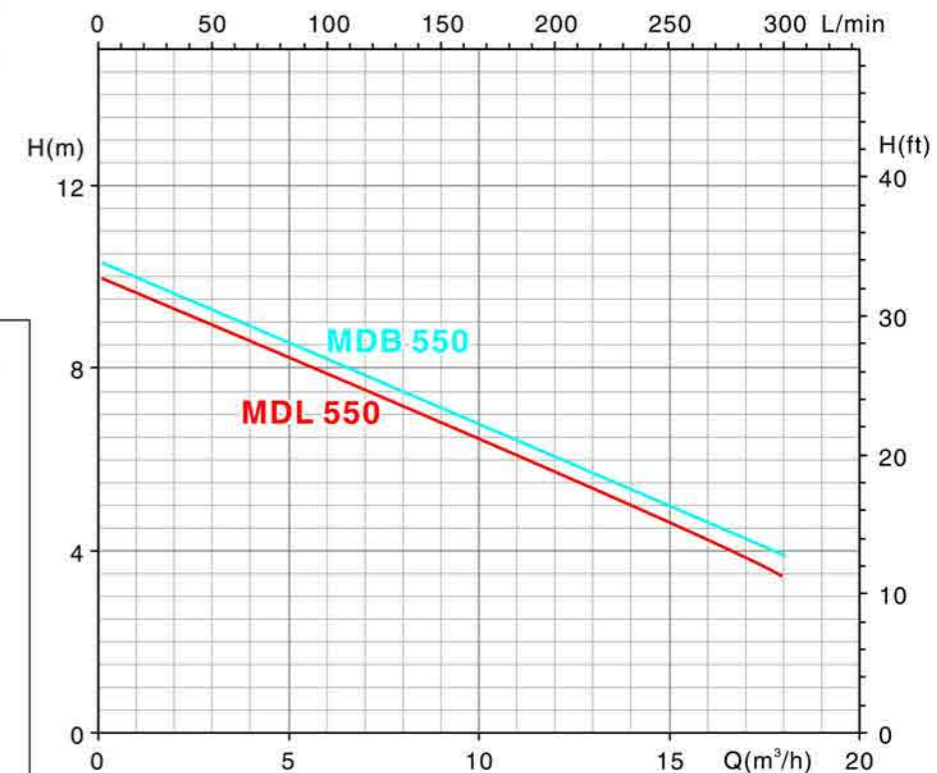


Model 50Hz	Power		Voltage	Vitesse	Max Flow	Max Head	Outlet	Max Particle
	W	HP	V	P/rpm	m³/h	m	mm	mm
MSP100	100	1/8	220	2P/2850	6.5	6.3	11/18.5	3.4
MDP100	100	1/8	220	2P/2850	6.5	6.3	11/18.5	3.4
SMSP100	100	1/8	220	2P/2850	6.5	6.3	30	7
SMDP100	100	1/8	220	2P/2850	6.5	6.3	30	7

MDB 550、MDL 550 Sewage Submersible Pump

With Italian dual mechanical seal and thermal protection device and 316 SS shaft.

Stainless steel 304 pump shell. For mariculture, industrial, and domestic sewage uses.



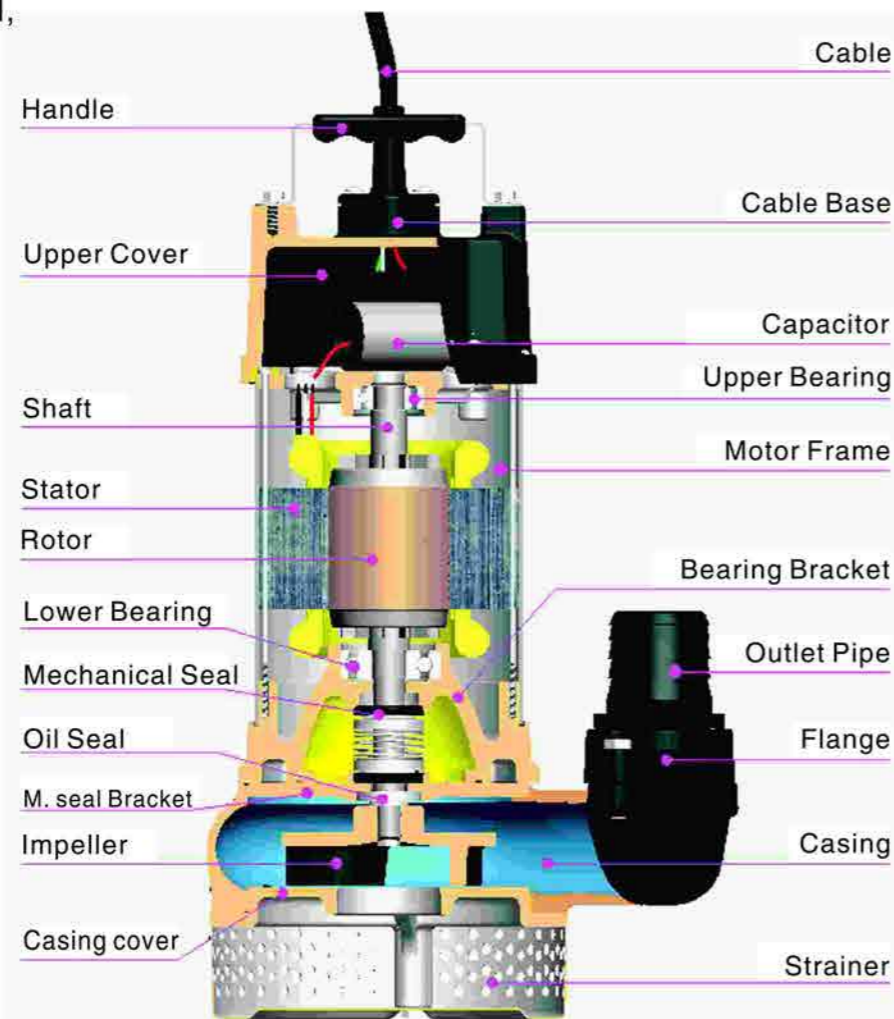
Model 50Hz	Power		Voltage	Vitesse	Max Flow	Max Head	Outlet	Max Particle
	W	HP	V	P/rpm	m³/h	m	mm	mm
MDB550	550	3/4	220	2P/2850	20	10	40	4
MDL550	550	3/4	220	2P/2850	20	10	40	31

Property:

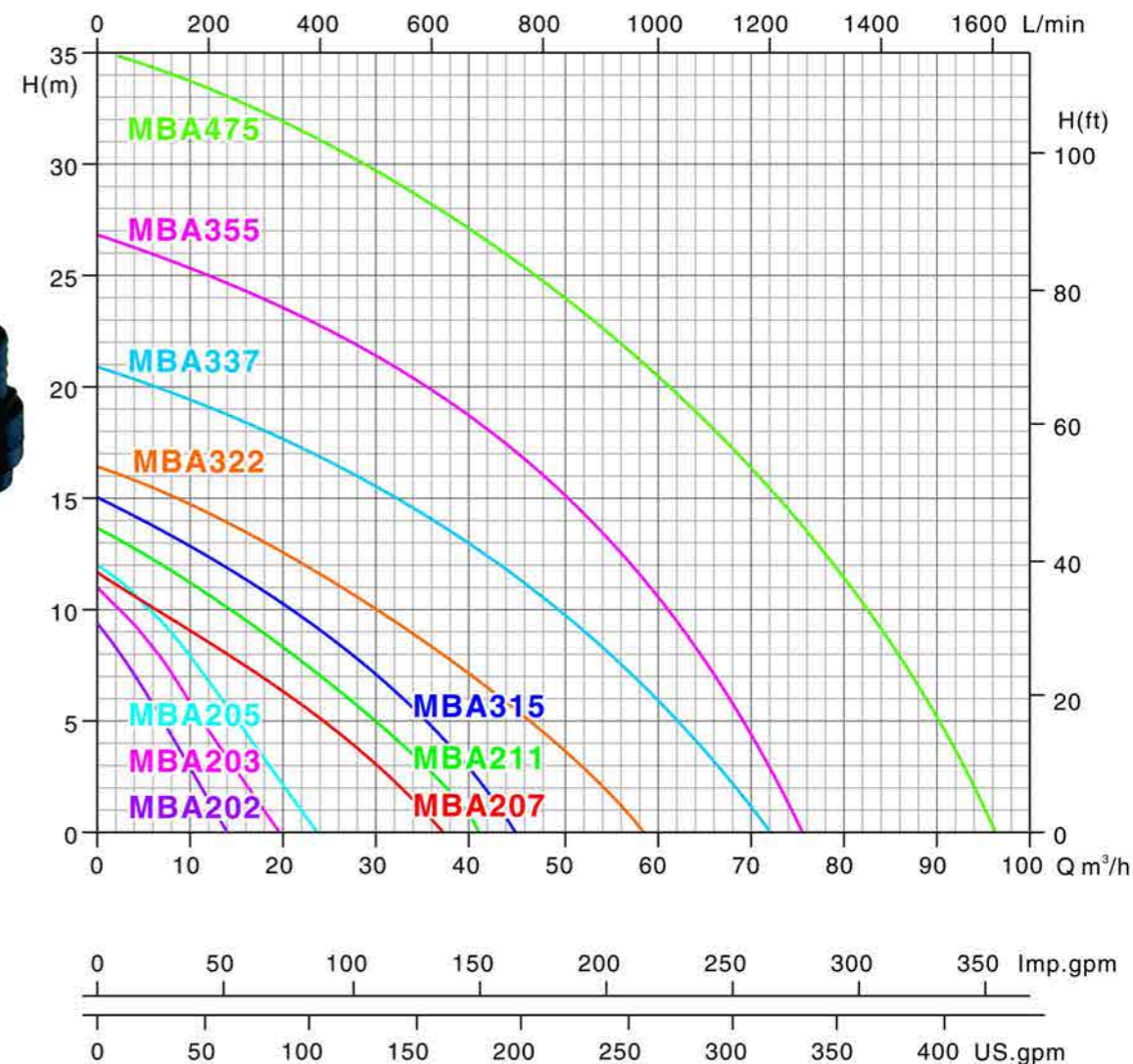
- a. AISI304 motor shell, upper cover, strainer, shaft, and nuts.
- b. Italian double face mechanical seal, AC over-heat protector inside.
- c. Integrated plug, good water proof, energy saving, big flow.
- d. Good appearance, small and light, easy to use and maintain.

Usage:

Draining Standing-water and waste water for cellar, plant, construction site etc.
Water Circulation for gardening and rockery.



MBA 203



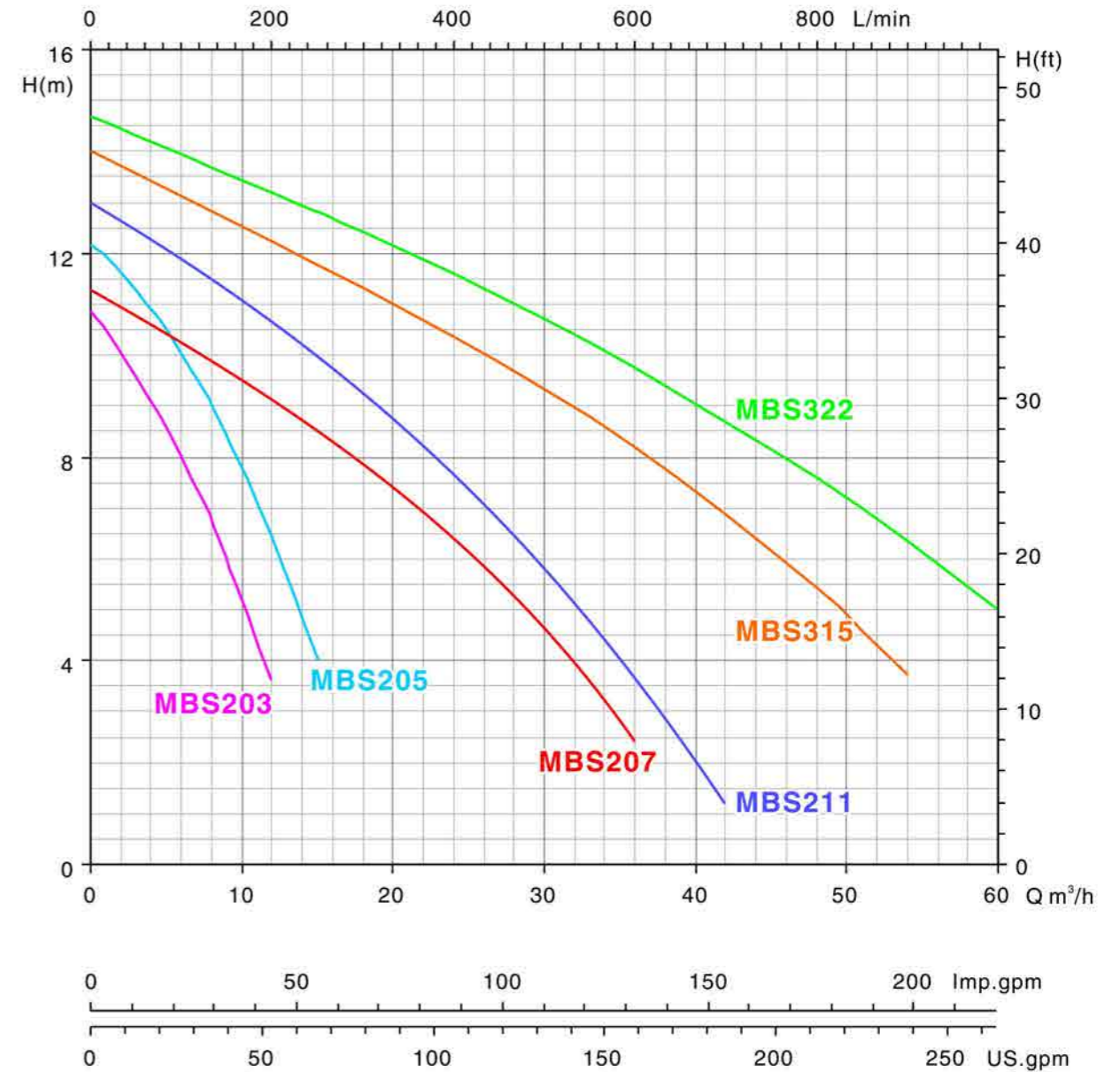
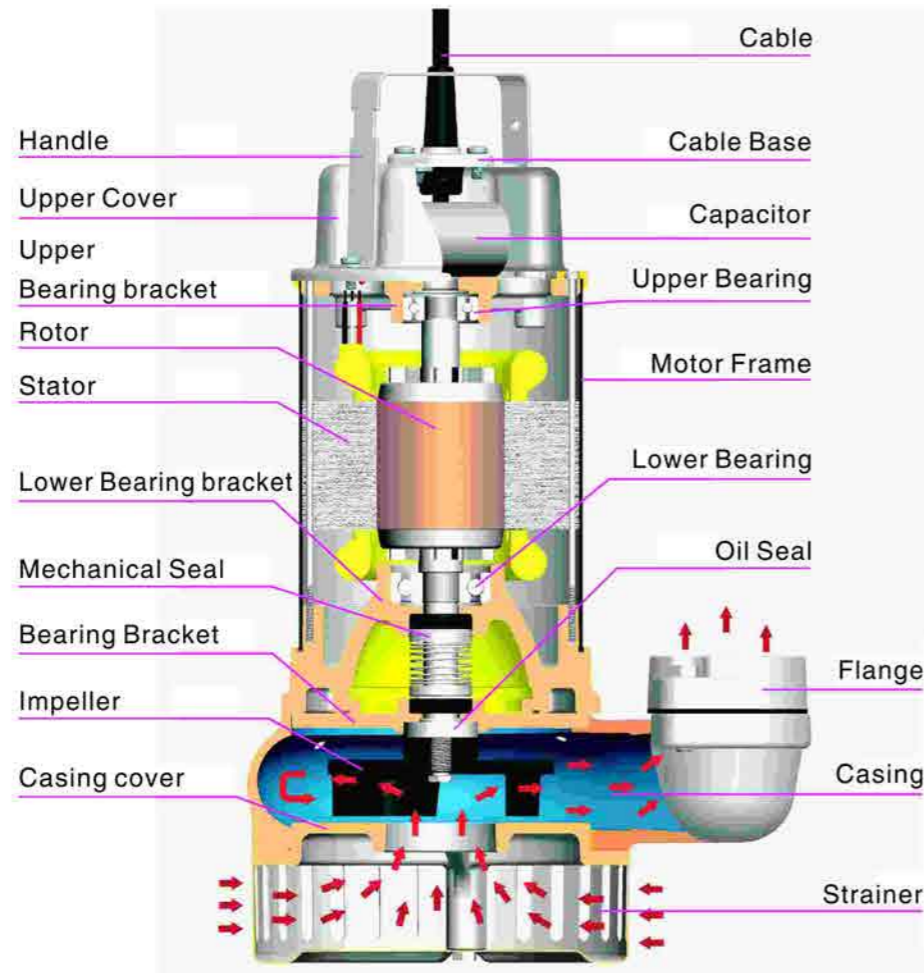
MODEL 50Hz	Power		Voltage	Vitesse	Max Flow	Max Head	Outlet	Max Particle
	kW	HP	V	P/rpm	m³/h	m	mm	mm
MBA202	0.25	0.4	220	2P/2850	12	8	50	7
MBA203	0.37	0.5	220	2P/2850	20	11	50	6.8
MBA205	0.55	0.75	220	2P/2850	22	12	50	6.8
MBA207	0.75	1	220/380	2P/2850	48	11	50	5.5/7
MBA211	1.1	1.5	220/380	2P/2850	56	13	50	5.5/7
MBA315	1.5	2	220/380	2P/2850	64	14	75	8
MBA322	2.2	3	220/380	2P/2850	70	15	75	8
MBA337	3.7	5	380	2P/2850	70	27	75	10
MBA355	5.5	7.5	380	2P/2850	75	33	75	10
MBA475	7.5	10	380	2P/2850	96	36	100	12

Property:

- a. AISI304 motor shell, impeller, diffuser, strainer, and nuts. Shaft in 316L special material.
- b. Italian double face mechanical seal, AC over-heat protector inside.
- c. Integrated plug, good water proof.
- d. Good appearance, small and light, easy to use and maintain.

Usage:

Especially for work places which have a high requirement for water quality, eg. Fountain, aquarium fish cultivation and industrial waste water, especially for draining industrial acid or alkaline waste water.



MODEL 50Hz	Power		Voltage	Vitesse	Max Flow	Max Head	Outlet	Max Particle
	kW	HP	V	P/rpm	m³/h	m	mm	mm
MBS203	0.37	0.5	220	2P/2850	20	11	50	6.8
MBS205	0.55	0.75	220	2P/2850	22	12	50	6.8
MBS207	0.75	1	220/380	2P/2850	48	11	50	5.5/7
MBS211	1.1	1.5	220/380	2P/2850	56	13	50	5.5/7
MBS315	1.5	2	220/380	2P/2850	64	14	75	8
MBS322	2.2	3	220/380	2P/2850	70	15	75	8
MBS337	3.7	5	380	2P/2850	70	27	75	10
MBS355	5.5	7.5	380	2P/2850	75	33	75	10
MBS475	7.5	10	380	2P/2850	96	36	100	12



Property:

- a. Non-clog impeller and diffuser, good performance for muddy waste water.
- b. Italian double face mechanical seal, AC over-heat protector inside.
- c. Special anti-mist design for the plug, good water proof.
- d. AISI304 motor shell, shaft and nuts.
- e. Good appearance, small and light, easy to use and maintain.

Usage:

For building basement, farming field, food factory and industrial waste water drainage.
For dirty and waste water drainage in Sewage plants.



P: Three-channel unshrouded non clog impeller, high discharge capacity, suitable for muddy sewage with big



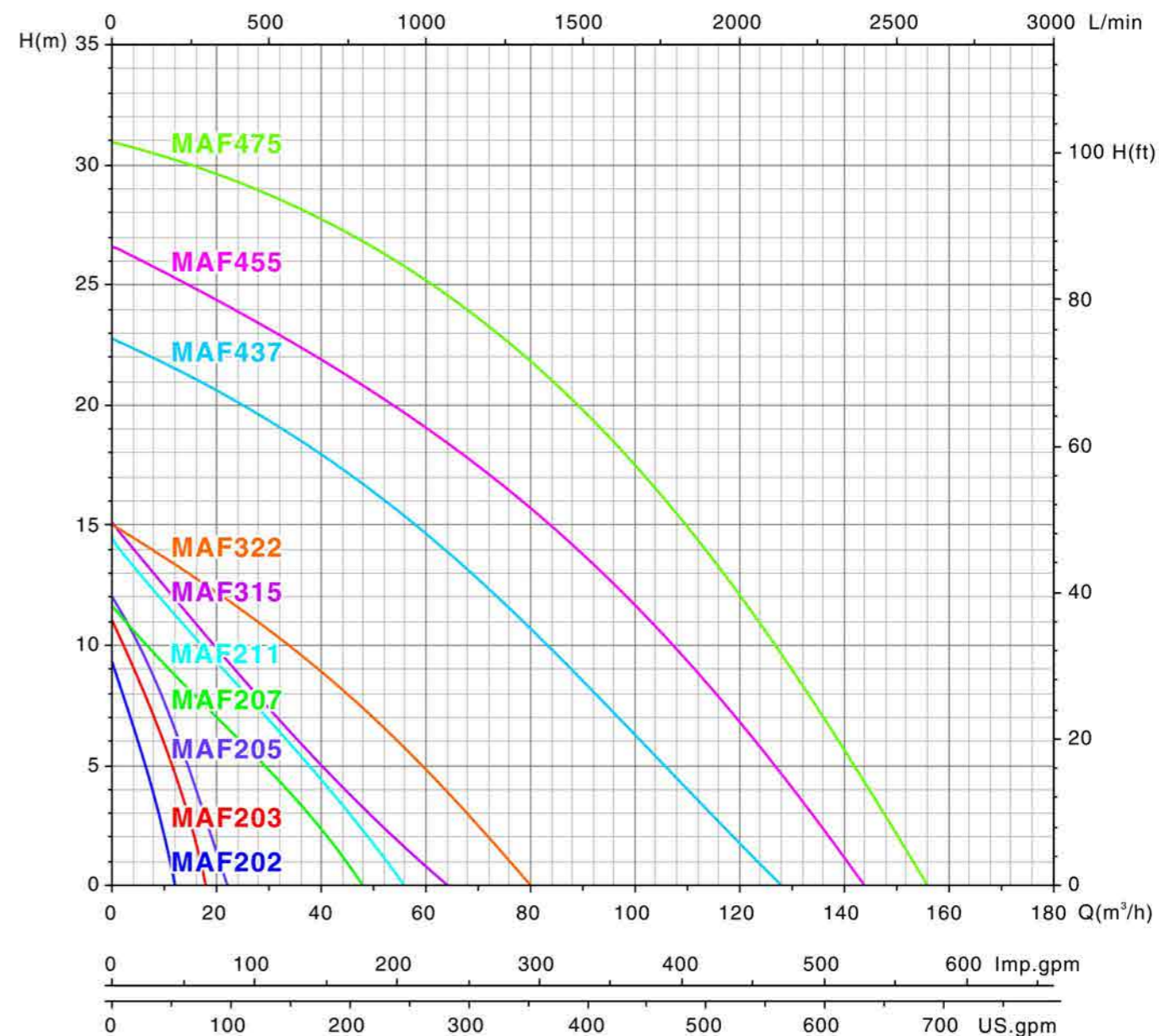
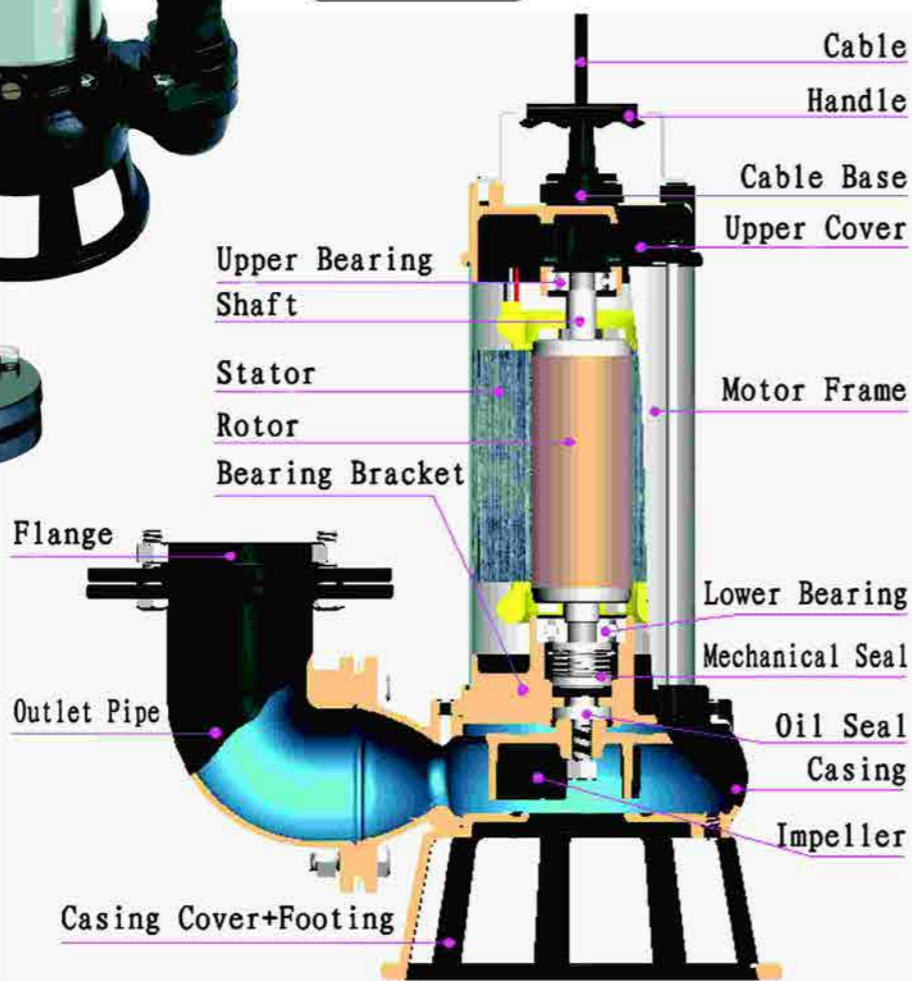
A: Open impeller, with extra hard tungsten steel blade to cut foreign material, prevent the pump getting clogged.



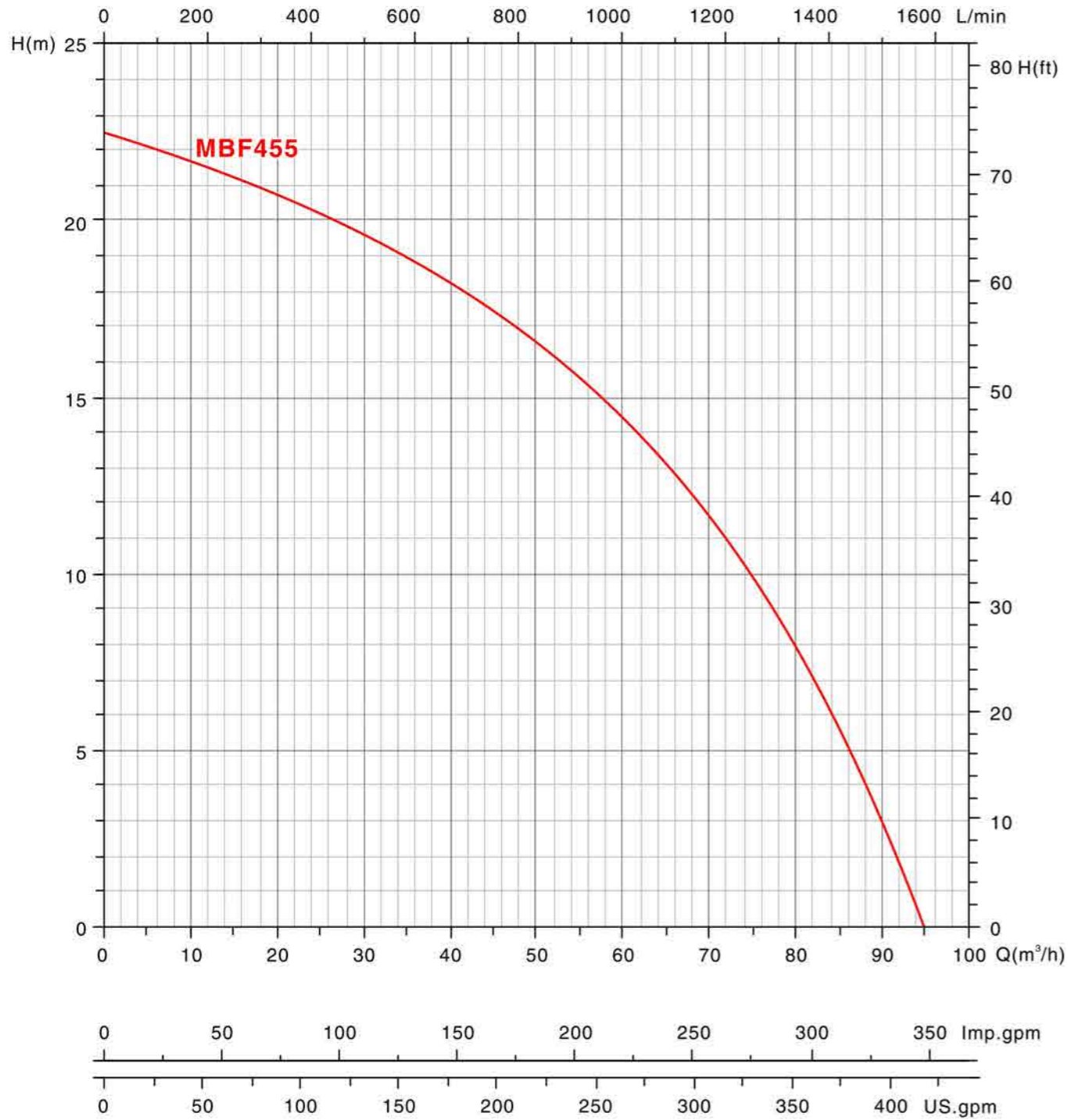
E: Unshrouded impeller, non clog, double channel design for good balance and smooth running. For high head with big flow.



B: Suitable for sewage with solid and fibrous matter, to prevent the pump getting entwined. Good performance in flow and head.



NO.	MODEL 50Hz	Power		Voltage	Vitesse	Max Flow	Max Head	Outlet	Max Particle
		kW	HP	V	P/rpm	m³/h	m	mm	mm
1	MAF202	0.25	0.33	220	2P/2850	12	9.3	40/50	9
2	MAF203	0.37	0.5	220	2P/2850	18	11	40/50	7
3	MAF205	0.55	0.75	220/380	2P/2850	22	12	40/50	7
4	MAF207	0.75	1.5	220/380	2P/2850	50	11.6	40/50	7
5	MAF211	1.1	1.5	220/380	2P/2850	56	14.5	40/50	7
6	MAF315	1.5	2	220/380	2P/2850	64	15	75	20
7	MAF322	2.2	3	220/380	2P/2850	80	15	75	20
8	MAF437	3.7	5	380	2P/2850	128	23	100	20
9	MAF455	5.5	7.5	380	2P/2850	144	27	100	22
10	MAF475	7.5	10	380	2P/2850	156	31	100	22



Property:

MBF series submersible sewage pump is a professional diving equipment developed in order to deal with large particles of solid waste, it uses Italy imported mechanical seal, with anti fog cable ends designed to pump excellent waterproof performance, motor shell, pump shaft, screws with 304 stainless steel material, the product has the advantages of beautiful appearance, durability and other characteristics

NEW



Usage:

1. For construction sites, construction, municipal facilities and tap water factory.
2. For a variety of edifice basement, subway and other underground civil air defense potholes and sewage discharge
3. For small and medium enterprises sewage treatment and recycled water transport
4. For slag slurry food, papermaking, brewing, steel and nonferrous metals, leather, textile, pharmaceutical and other industrial enterprises pumping cement factory
5. For chicken farms and pig farms, aquaculture, fish pond for pumping, aeration and septic tank cleaning on various occasions such as people and livestock manure pumping.

NO.	MODEL 50Hz	Power		Voltage	Vitesse	Max Flow	Max Head	Outlet	Max Particle
		kW	HP	V	P/rpm	m³/h	m	mm	mm
1	MBF455	5.5	7.5	380	2P/2850	98	22.5	100	55

Character:

1. Various designs of non-clog impellers to supply big capacity for waste water of solid or fibrous matter.
2. Double face mechanical seal: use advanced graphite ceramic material, can be wear-resisting, heat-resisting with long life time and fully waterproof.

Usage:

For waste water treatment of manure retention basin from pasture. For waste water drainage and treatment from industrial and domestic sewerage. For emission of waste water from food factory, leather factory, paper industry, dyeing and finishing industry, steel industry and so on.



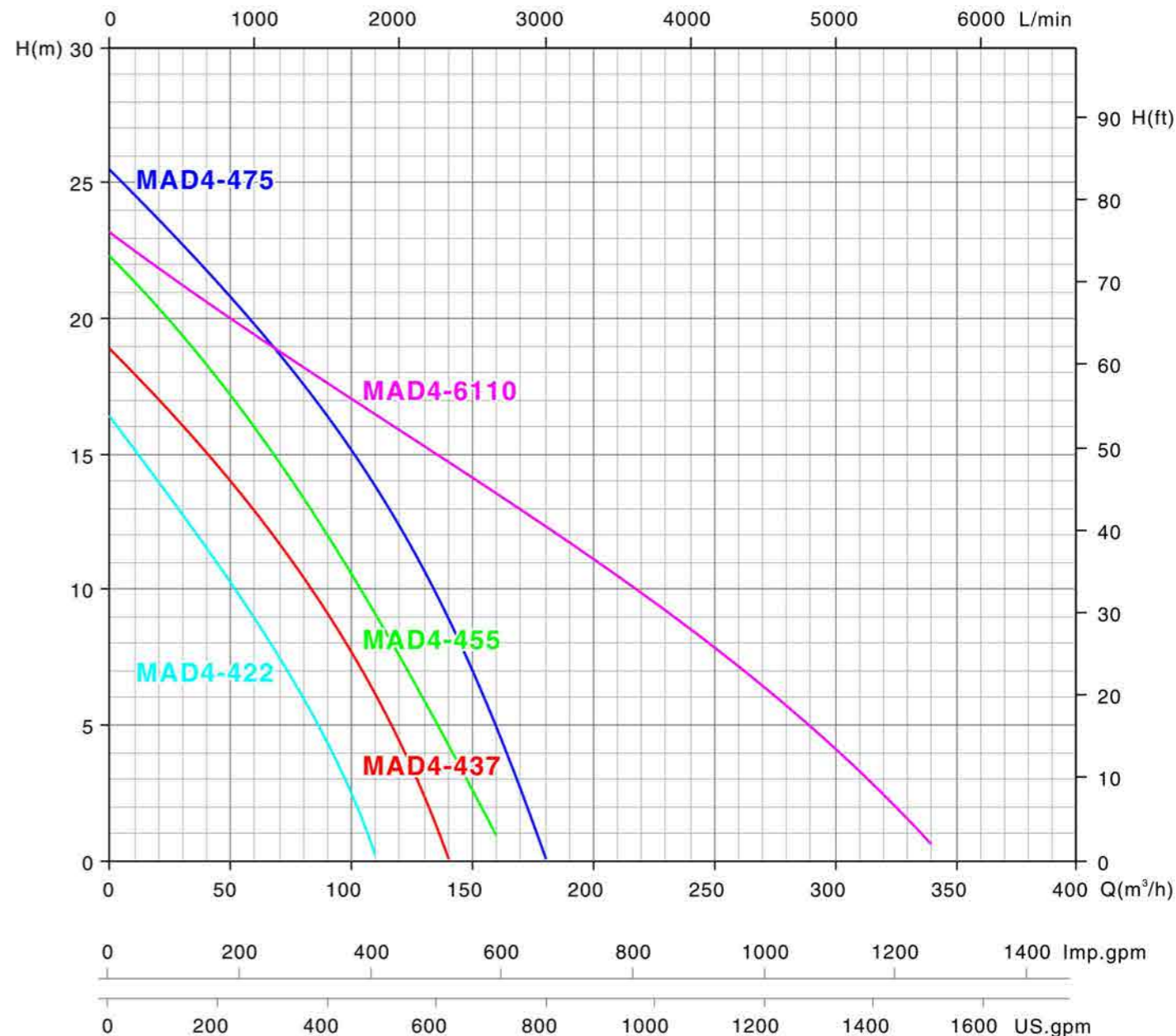
A: Open impeller, with extra hard tungsten steel blade to cut foreign material, prevent the pump getting clogged.



E: Unshrouded impeller, non clog, double channel design for good balance and smooth running. For high head with big flow.



B: Suitable for sewage with solid and fibrous matter, to prevent the pump getting entwined. Good performance in flow and head.



MODEL 50Hz	Power		Voltage V	Vitesse P/rpm	Max Flow m³/h	Rated flow m	Max Head m³/h	Rated head m	Outlet mm	Max Particle mm
	kW	HP								
MAD4-422	2.2	3	380	4P/1450	110	16.5	55	10	100	50
MAD4-437	3.7	5	380	4P/1450	140	17	60	12.4	100	50
MAD4-455	5.5	7.5	380	4P/1450	160	22	70	14.7	100	40
MAD4-475	7.5	10	380	4P/1450	180	25.5	80	18	100	40
MAD4-6110	11	15	380	4P/1450	340	21.2	160	13.5	100	70

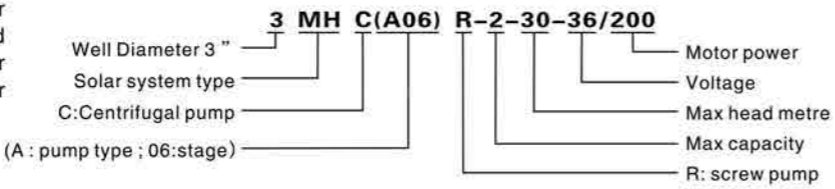


Solar DC Water Pump System

The pump driven by a DC motor, draws water from wells or rivers, then pours water into the reservoir or storage tank, or directly to irrigation systems and fountain systems. Based on the requirements and installation conditions, Screw pump and multistage impeller pump can be used.

In solar pumping systems, pump selection is essential, which directly affects the economy and stability of the whole system. Submersible pumps which have widely application and speed-regulating range, are common in solar pumping systems, it can increase working time and water flow rate of the solar pumping system. If the users require low head and high water flow, they can choose multistage impeller pump, while they require high head and low water flow, they can choose screw pumps.

Pump Specification



NO.	m ³ /24h	Type 50Hz	Motor Power		Voltage V	Max capacity (m ³ /h)	Max head in meters (m)	Outlet mm	φ Max mm
			HP	kW					
1	5.4	3MHR-1.3-73-36/200	0.26	0.2	36	1.3	73	25mm G1"	75mm
2	7.2	3MHR-1.8-73-36/300	0.4	0.3	36	1.8	73		
3	10	3MHR-2.2-80-48/400	0.53	0.4	48	2.2	80		
4	14	3MHR-2.8-85-48/500	0.67	0.5	48	2.8	85		
5	12	3MHC(T09)-3.7-34-36/300	0.4	0.3	36	3.7	34		
6	13.4	3MHC(T15)-3.7-57-48/400	0.53	0.4	48	3.7	57		
7	13.4	3MHC(T18)-3.7-69-48/500	0.67	0.5	48	3.7	69		
8	10	4MHR-2.2-80-48/400	0.53	0.4	48	2.2	80	25mm G1"	100mm
9	14	4MHR-2.6-85-48/500	0.67	0.5	48	2.6	85		
10	11	4MHR-2.3-132-48/600	0.8	0.6	48	2.3	132		
11	12	4MHR-2.7-170-110/750	1	0.75	110	2.7	170		
12	8.4	4MHR-1.8-307-110/1100	1.5	1.1	110	1.8	307		
13	10.5	4MHR-2.2-320-110/1500	2	1.5	110	2.2	320		
14	11	4MHC(S06)-3.2-59-48/500	0.67	0.5	48	3.2	59		
15	11	4MHC(S07)-3.2-69-48/600	0.8	0.6	48	3.2	69		
16	11	4MHC(S09)-3.2-93-110/1100	1.5	1.1	110	3.2	93		
17	11	4MHC(S14)-3.2-141-110/1500	2	1.5	110	3.2	141		
18	18	4MHC(A05)-5.2-47-48/500	0.67	0.5	48	5.2	47	30mm 1 1/4G	100mm
19	18	4MHC(A06)-5.2-54-48/600	0.8	0.6	48	5.2	54		
20	18	4MHC(A08)-5.2-73-110/1100	1.5	1.1	110	5.2	73		
21	18	4MHC(A12)-5.2-112-110/1500	2	1.5	110	5.2	112	40mm 1 1/2G	100mm
22	27	4MHC(VC03)-7.2-25-48/400	0.53	0.4	48	7.2	25		
23	27	4MHC(VC04)-7.2-33-48/500	0.67	0.5	48	7.2	33		
24	27	4MHC(VC05)-7.2-43-48/600	0.8	0.6	48	7.2	43		
25	27	4MHC(VC06)-7.2-53-110/750	1	0.75	110	7.2	53		
26	27	4MHC(VC08)-7.2-68-110/1100	1.5	1.1	110	7.2	68		
27	27	4MHC(VC11)-7.2-89-110/1500	2	1.5	100	7.2	89		
28	30	4MHC(BF03)-8.4-23-48/500	0.67	0.5	48	8.4	23		
29	30	4MHC(BF04)-8.4-30-48/600	0.8	0.6	48	8.4	30		
30	30	4MHC(BF05)-8.4-38-48/750	1	0.75	110	8.4	38		
31	30	4MHC(BF07)-8.4-57-110/1100	1.5	1.1	110	8.4	57		
32	30	4MHC(BF09)-8.4-70-110/1500	2	1.5	110	8.4	70		



The product applies to transforming three phase 380V or three phase 220V submersible deep well pump into solar water pump system. It works this way that direct current produced by solar module inputs into solar water pump controller and is transferred into alternating current which drives all kinds of water pump, especially for submersible well pump.

Main features of this product are high quality, multifunctional, low-noise, wide universality, etc.

- Adopt advanced MPPT technology, fully make use of the power efficiency from solar module array;

- With the changing of sunshine, it can automatically adjust motor speed and water flow out of pump;

- It controls automatically when water level is high in pool, it stops work automatically; however, when water level is low, it activates automatically.

- With the function of automatic protection, it can avoid pump form dry running while no water source.

- Hibernate automatically under weak light such as sunset; quit hibernating under strong light such as sunrise;

- To improve the liability of the working system with various protection;

- Professionally designed for users of deep well pumps, it is suitable for all sorts of situations and user-friendly control.



● Solar AC controller specification, three phase 220V

NO.	Controller Type (HP)	Rate output power (kW)	Rate input Current (A)	Rate output Current (A)	Matched motor power (kW)
Output 3AC 220V					
1	MS220VS-001	0.75	7.7	7	0.75
2	MS220VS-002	1.5	11	10	1.5
3	MS220VS-003	2.2	17	16	2.2
4	MS220VS-005	4	21	20	3.7/3
5	MS220VS-007	5.5	31	30	5.5
6	MS220VS-010	7.5	43	42	7.5
7	MS220VS-015	11	56	55	11
8	MS220VS-020	15	71	70	15
9	MS220VS-025	18.5	81	80	18.5
10	MS220VS-030	22	112	110	22
11	MS220VS-040	30	132	130	30/26
12	MS220VS-050	37	163	160	37
13	MS220VS-060	45	200	200	45

● Solar AC controller specification, three phase 380V

NO.	Controller Type (HP)	Rate output power (kW)	Rate input Current (A)	Rate output Current (A)	Matched motor power (kW)
Output 3AC 380V					
1	MS380VS-001	0.75	5	3.7	0.75
2	MS380VS-002	1.5	5.8	5	1.5
3	MS380VS-003	2.2	10	9	2.2
4	MS380VS-005	4	15	13	4/3.7
5	MS380VS-007	5.5	20	17	5.5
6	MS380VS-010	7.5	26	25	7.5
7	MS380VS-015	11	35	32	11
8	MS380VS-020	15	38	37	15
9	MS380VS-025	18.5	46	45	18.5
10	MS380VS-030	22	62	60	22
11	MS380VS-040	30	76	75	30/26
12	MS380VS-050	37	90	90	37
13	MS380VS-060	45	105	110	45
14	MS380VS-075	55	140	150	55
15	MS380VS-100	75	160	176	75
16	MS380VS-120	90	210	210	90
17	MS380VS-150	110	240	250	110

remark: can match regular 4" 6" deep-well submersible pump



NO.	Controller Type (HP)	Type 50Hz	Motor Power		Capacity									Outlet mm	φ max mm	
					Q											
					US.GPM	0	13.2	26.4	39.6	52.8	66	79.2	92.4			
					m³/h	0	3	6	9	12	15	18	21			
l/min									0	50	100	150	200	250	300	350
Output 3AC 380V			HP	kW	Total head in meters									76mm 3"G	150mm	
1	MS380VS-007	6SP17-9	7.5	5.5	97	96	94	90	85	76	63	45				
2	MS380VS-010	6SP17-12	10	7.5	130	128	126	120	113	102	84	60				
3	MS380VS-015	6SP17-15	12.5	9.2	162	160	157	150	141	127	105	75				
4	MS380VS-015	6SP17-18	15	11	195	192	188	180	170	152	126	90				
5	MS380VS-020	6SP17-21	18	13	227	224	220	210	198	178	147	105				
6	MS380VS-020	6SP17-24	20	15	260	256	251	241	226	203	168	120				
7	MS380VS-025	6SP17-30	25	18.5	324	320	314	301	283	254	210	150				
8	MS380VS-030	6SP17-36	30	22	389	384	377	361	339	305	252	180				
9	MS380VS-040	6SP60-43	35	26	465	459	450	431	405	364	301	215				

NO.	Controller Type (HP)	Type 50Hz	Motor Power		Capacity									Outlet mm	φ max mm	
					Q											
					US.GPM	0	52.8	79.2	105.6	123.2	132	158.4	211.2			
					m³/h	0	12	18	24	28	30	36	48			
l/min									0	200	300	400	467	500	600	800
Output 3AC 380V			HP	kW	Total head in meters									76mm 3"G	150mm	
10	MS380VS-007	6SP30-5	7.5	5.5	57	52	49	45	42	39	31	10				
11	MS380VS-010	6SP30-7	10	7.5	80	74	70	63	57	54	43	13				
12	MS380VS-015	6SP30-9	12.5	9.2	103	95	89	81	74	70	56	17				
13	MS380VS-015	6SP30-12	15	11	137	126	118	108	99	94	74	23				
14	MS380VS-020	6SP30-14	18	13	160	146	138	126	116	109	87	27				
15	MS380VS-020	6SP30-16	20	15	182	168	157	144	132	125	99	30				
16	MS380VS-025	6SP30-19	25	18.5	217	200	188	171	156	148	118	36				
17	MS380VS-030	6SP30-23	30	22	262	239	225	205	189	179	143	44				
18	MS380VS-040	6SP30-28	35	26	319	292	274	250	230	218	174	53				

